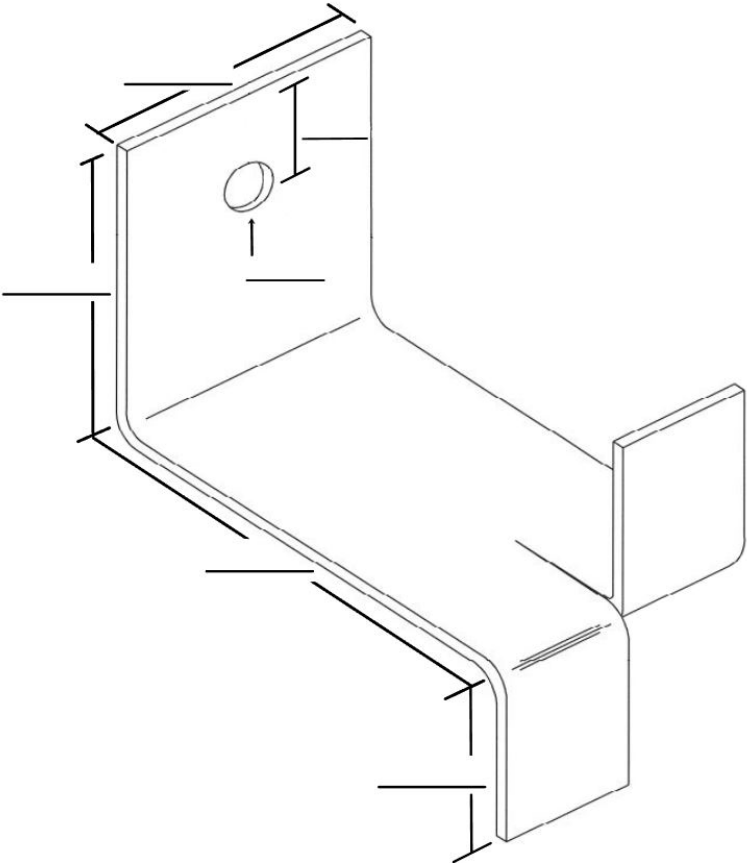


IPCO STONE ANCHORS IN STAINLESS STEEL



Split -tail

STAINLESS type 304

Quantity: _____

Thickness:
3/16" 1/8" 16ga

Length (od): _____ Width: _____

Bend (od): _____

Hole Diameter: _____

Center of Hole to Top: _____

Split Bend (od): _____

CONTACT INFORMATION

Name: _____

Company: _____

Phone: _____

Email: _____

Accepted By: _____

Date: _____



ILLINOIS PRODUCTS CORPORATION
423 Joseph Drive South Elgin, IL 60177

www.illinoisproducts.com

Ph: 800-383-8183 Fax: 847-289-2804